

PWM and Tach Output Brushless DC Fan **04056DA-12T (E-Type)**

NMB

General Specifications

Motor Type:

DC Brushless Three Phase Motor

Motor Protection:

Auto Restart / Polarity Protection (Motor withstands reverse connection for positive and negative leads.)

Insulation Resistance:

10MΩ or over with a DC 500V Megger

Dielectric Withstand Voltage:

AC 700V 1sec or 500V 1min

Allowable Ambient Temperature Range:

-10°C ~ + 60°C (Operating)

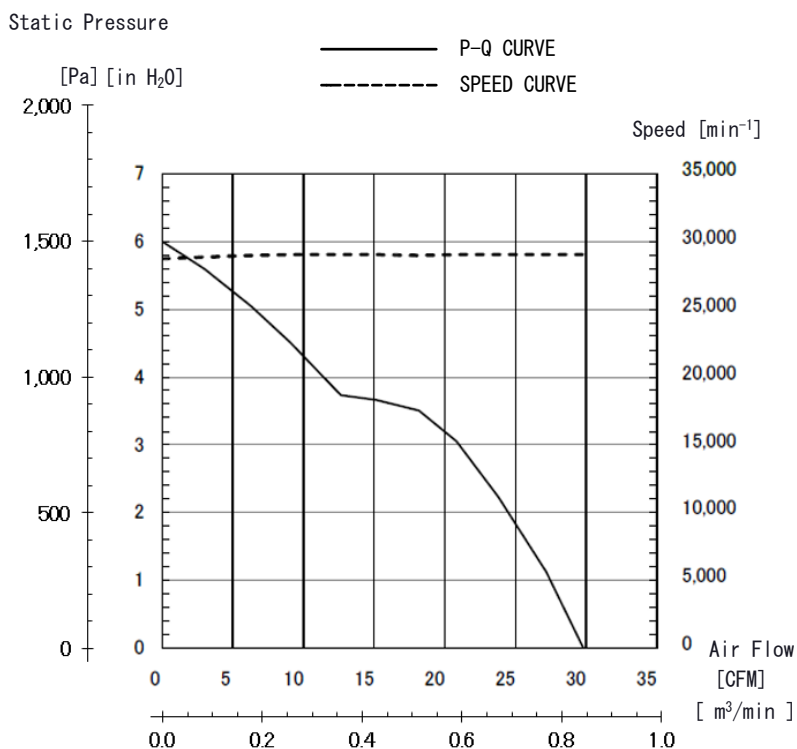
-40°C ~ + 70°C (Storage)

(non-condensing environment)



**For reference only. Please see fan outline for details.*

Characteristic Curves



Features

- High performance, four wire PWM with tach signal
- Efficient motor technology, high torque, and aerodynamic impeller design
- Energy saving, low vibration, and increased life expectancy
- Available in 12 volts with tach output and PWM speed control
- Outfitted with NMB precision machined ball bearings for long life

Life Expectancy L10

70,000 Hours at 40°C

**Fan life expectation is based on free air operation at 40°C, rated voltage, and indoor benign lab environment*

**1: Values in Free Air*

Specifications

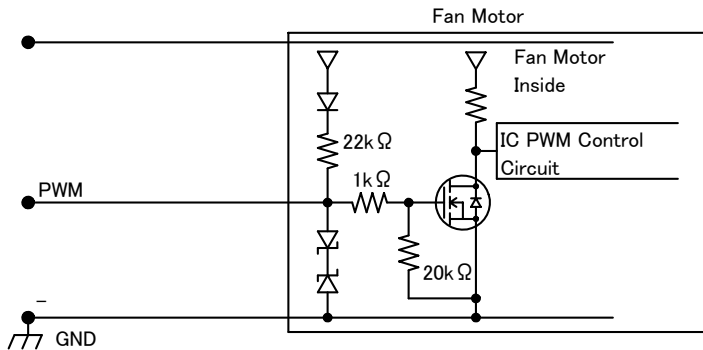
MODEL	Rating Voltage (V)	Operating Voltage (V)	Current (A) ^{*1}		Input Power (W) ^{*1}		Speed Inlet/Outlet (min ⁻¹) ^{*1}	Max. Air Flow		Max. Static Pressure		Noise (dB) ^{*1}	Mass (g)
			Avg	Max	Avg	Max		(CFM)	(m ³ /min)	(in H ₂ O)	(Pa)		
04056DA-12T-E6E-8	12	10.8 to 13.2	1.3	1.6	15.6	19.2	29,000	29.8	0.80	6.0	1495	60.0	66.0

PWM and Tach Output Brushless DC Fan 04056DA-12T (E-Type)

NMB

PWM Specifications

Connection



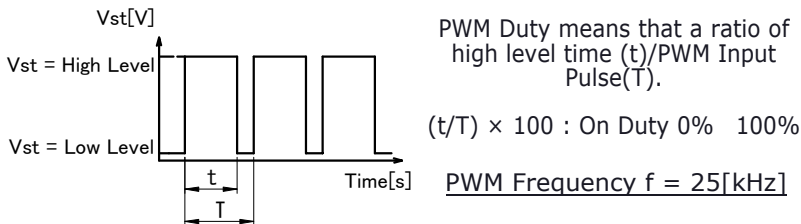
1. Vst : PWM Control

Vst = Low Level (0V ~ 0.8V) → Low Speed (On Duty 0%)

Vst = High Level (3.3V ~ 5V) → Full Speed (On Duty 100%)

Vst = Open → Full Speed

2. PWM Duty & PWM Input Pulse



3. The condition for PWM control are as follows

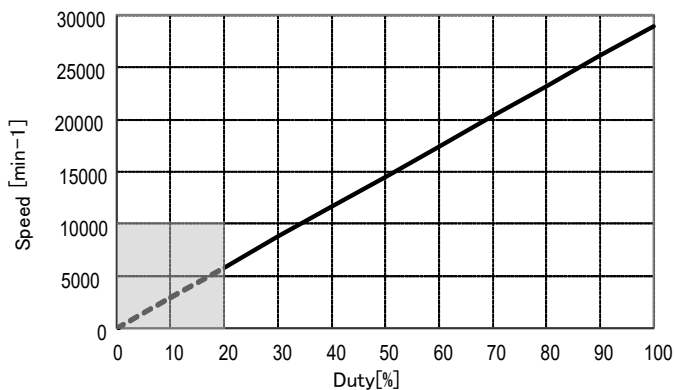
When you use this under PWM control, always be sure the motor's operation under practical mounting state. Fan motor may not start up caused by PWM control at very low speed condition.)

To run at Rating Voltage

Please use the start with Duty 20% or more at 25kHz.[At rated voltage input, Ambient temperature 25 °C]

PWM Characteristic Curve

Reference PWM Duty VS Speed
Conditions: at Rating Voltage, Vst=5.0V, f=25kHz, Ta=25°C



TACHO Specifications

Tachometer Signal

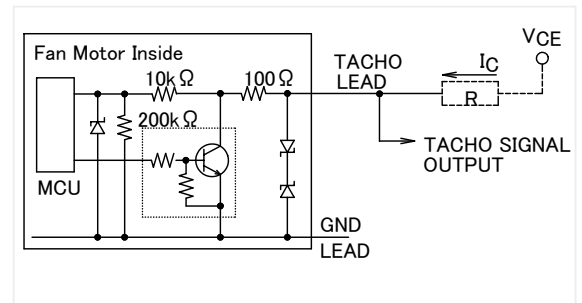
1. Output Circuit: Open Collector

2. Specification

Absolute Maximum Ratings at Ta=25°C

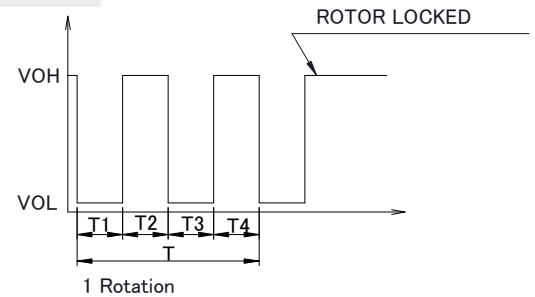
V_{CEmax}: +15V

I_{Cmax}: 5mA[V_{CE(sat)}max=1.5V]

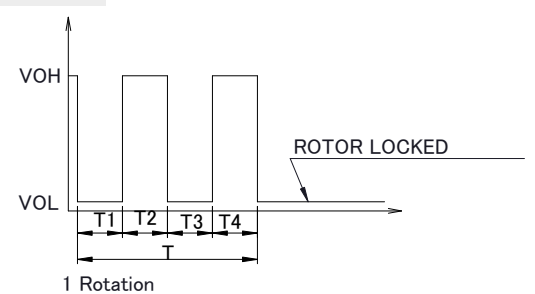


3. Output Waveform: At Rated Voltage Output Signal Voltage

Case-1



Case-2



- 1) When the rotor is locked at VOH position of signal, signal keeps VOH position.
- 2) When the rotor is locked at VOL position of signal, signal keeps VOL position.
- 3) $T = T1 + T2 + T3 + T4 = 60/m = 1$ rotation

m: Fan Speed (min⁻¹)

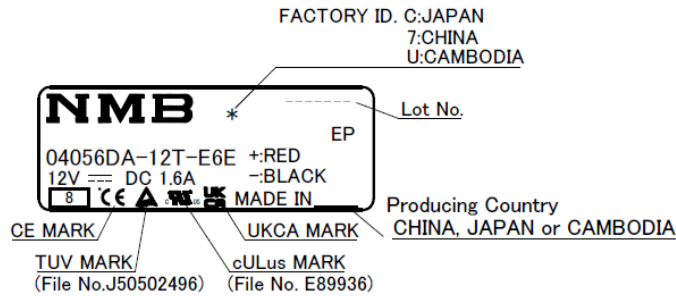
Tacho Duty Cycle=50%±10%

PWM and Tach Output Brushless DC Fan 04056DA-12T (E-Type)

NMB

Outlines

(Name Plate)



Materials

Casing: Plastic (Black UL94V-0)

Impeller: Plastic (Black UL94V-0)

Bearing: Steel Ball Bearing

Lead Wire: UL10368 AWG28 or AWG26 or Equivalent

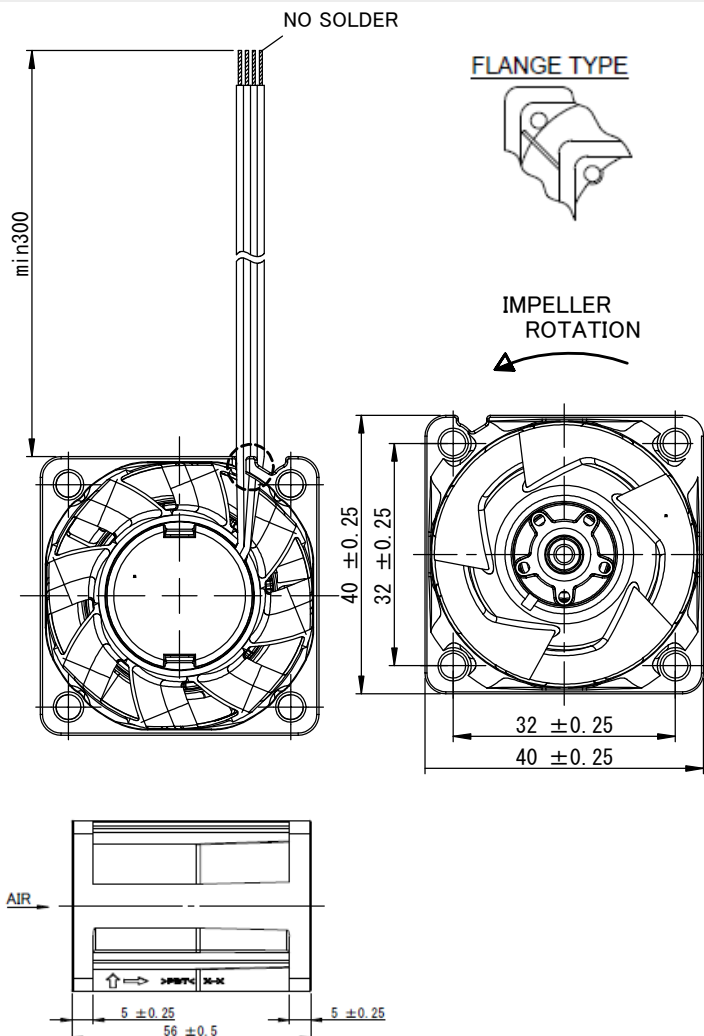
(+)/Red

(-)/Black

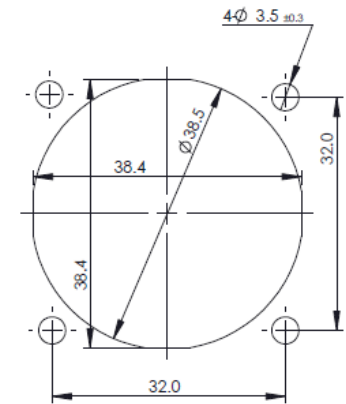
(TACH)/White

(PWM)/Brown

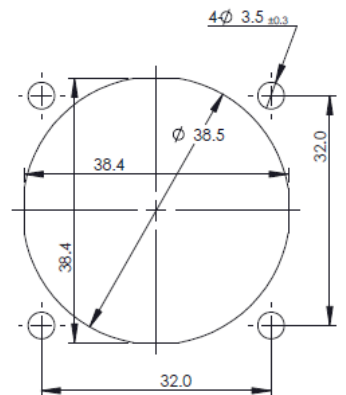
(Outline)



(Panel Out-line)



Inlet Side



Outlet Side